

VITALI & CAUCIA

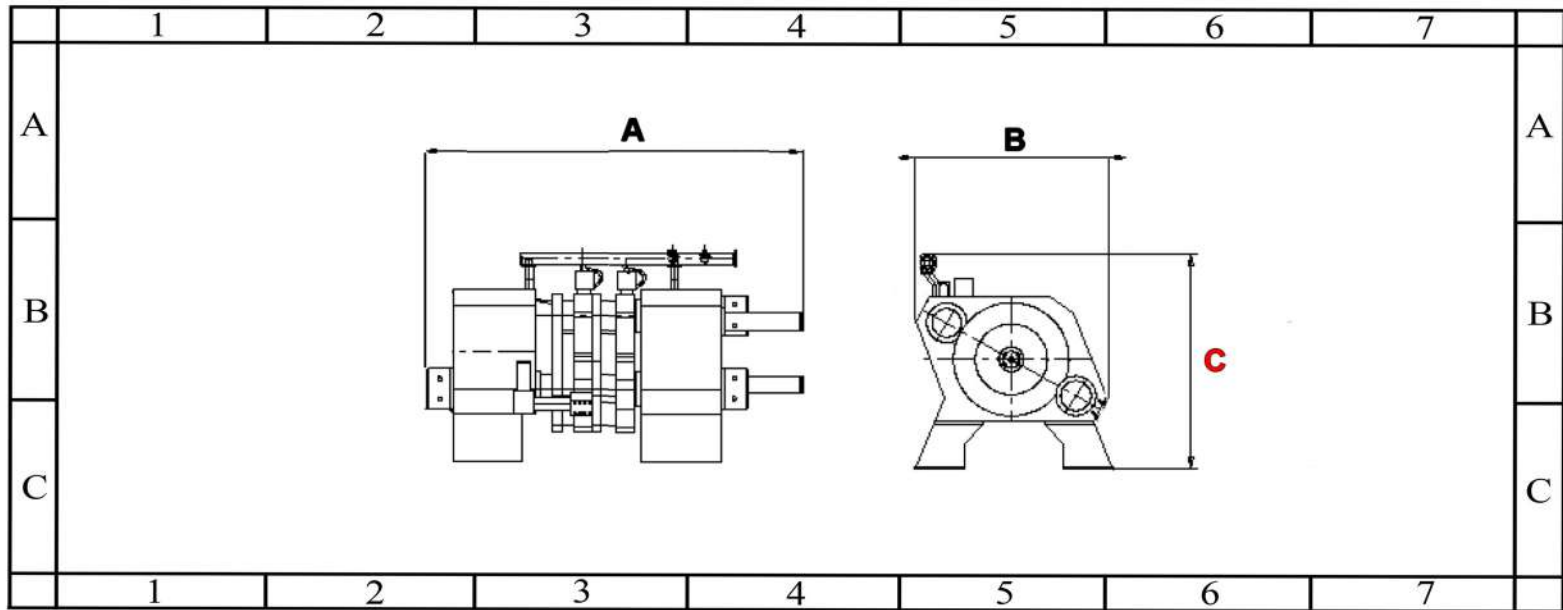


V&C CLASS 100

COCOA PRESS 2 POTS V&C



Presse per la spremitura del liquore di cacao
Cocoa Presses for pressing cocoa liquor
Presses à Cacao pour le pressage du liqueur de cacao
Prensas para el prensado del licor de cacao



TECHNICAL CHARACTERISTICS CLASS 100

PRESS MODEL V&C	PRESS V&C/2	PRESS V&C/4	PRESS V&C/6	PRESS V&C/8
Length (mm) A	2.000	3.000	4.200	4.750
Width (mm) B	1.210	1.600	1.600	1.600
Height (mm) C	1.500	1.400	1.600	1.600
Weight (kg)	5.000	9.500	14.000	16.000
Number of pots	2	4	6	8
Piston diameter (mm)	420	460	540	540
Max pressure (bar)	500	480	500	500
Pressure on the product (Kg/cm ²)	741	815	815	815
Load capacity (Lt)	9	36	78	104
Steam consumption (1-2 bar) (Kg/h)	10	20	35	40
Air consumption (6-8) with 1 (NI / cycles)	4	8	12	16